



VSRI-SERIES ROUND IN-LINE FANS

Product & System Overview

Description:

VSRI-Series Variable Speed Round In-line Fans are suitable for providing combustion air or ventilation.

Use with the CPC-3 Constant Pressure Controller, closed-loop VFD, and TD-Series Pressure Transducer for an automatic-variable speed system which will modulate to always deliver the perfect amount of combustion air or ventilation. For an adjustable-fixed speed system, use an open-loop VFD to manually adjust the speed of the VSRI.

Housing Construction:

Continuously welded, heavy-gauge, corrosion resistant, enamel coated steel housing.

Impeller Construction:

Non-overloading, aluminum impeller that is statically and dynamically balanced.

Motor:

Three phase, 208-230/460 VAC, TEFC, E-PLUS 3, Inverter Duty Rated.

Standard Equipment:

- 4" x 4" weatherproof junction box
- PSA-1 Fan Proving Switch

Optional Equipment:

- CPC-3 Constant Pressure Controller
- IPS-1 Indoor Pressure Sensor Decorative Cover Fitting
- TD-Series Pressure Transducer
- VFD-Series Variable Frequency Drive
- FFP-1 Fire and Freeze Protection Limit

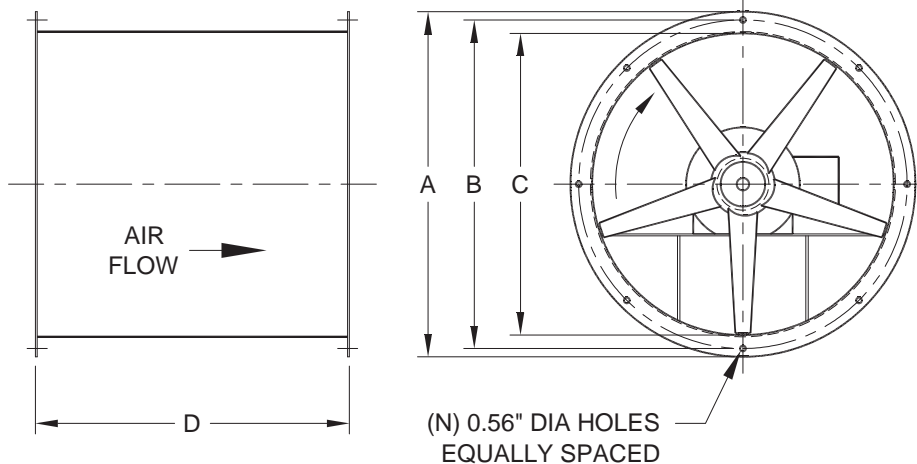
Listings:

UL 705 - Power Venters

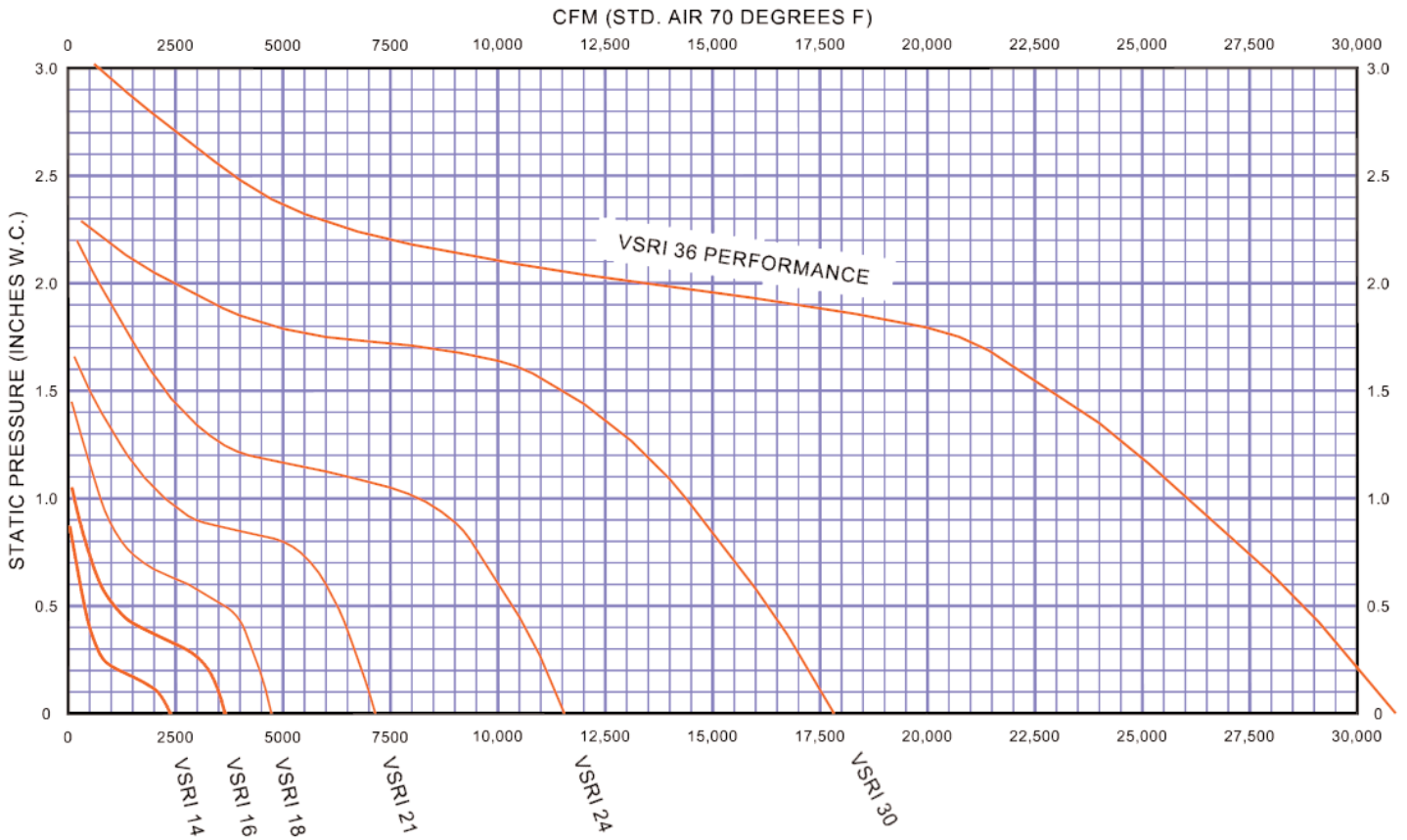
Temperature Rating:

120° F / 49° C

VSRI Series	VSRI14	VSRI16	VSRI18	VSRI21	VSRI24	VSRI30	VSRI36
Fan Type	Tubeaxial	Tubeaxial	Tubeaxial	Tubeaxial	Tubeaxial	Tubeaxial	Tubeaxial
Voltage	3x230 / 3x460	3x230 / 3x460	3x230 / 3x460	3x230 / 3x460	3x230 / 3x460	3x230 / 3x460	3x230 / 3x460
Amps	2.1 / 0.95	3.21 / 1.45	3.5 / 1.7	4.59 / 2.08	8.6 / 3.89	13.71 / 6.2	25.88 / 11.7
RPM	1750	1750	1750	1750	1750	1750	1750
Power Rating	½ HP	¾ HP	1 HP	1½ HP	3 HP	5 HP	10 HP
Weight	33 Lbs	53 Lbs	60 Lbs	85 Lbs	118 Lbs	170 Lbs	257 Lbs
Dimension A	16.88"	19.63"	21.75"	24.75"	27.75"	33.88"	40.50"
Dimension B	15.88"	17.88"	19.88"	22.88"	25.88"	32.00"	38.38"
Dimension C	14.25"	16.13"	18.25"	21.25"	24.25"	30.38"	36.50"
Dimension D	19"	19"	19"	21"	21"	26"	27"
Mounting Holes N	(8) 0.56"	(8) 0.56"	(8) 0.56"	(8) 0.56"	(8) 0.56"	(8) 0.56"	(16) 0.56"



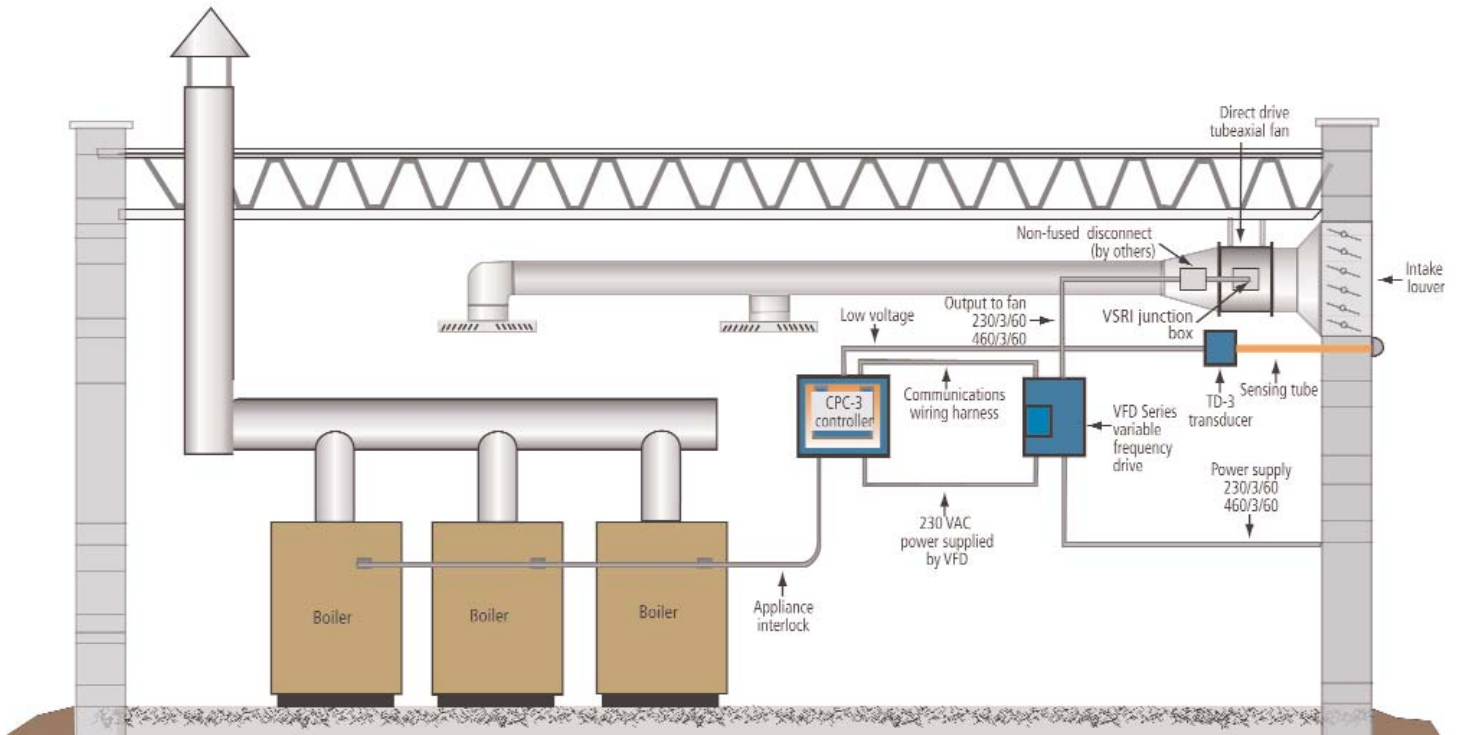
VSRI-SERIES FAN CURVES



RECOMMENDED LAYOUT DIAGRAMS



Mechanical Combustion Air with VSRI-Series Blower



RECOMMENDED LAYOUT DIAGRAMS (Continued)



Sealed Mechanical Combustion Air with VSRI-Series Blower

